

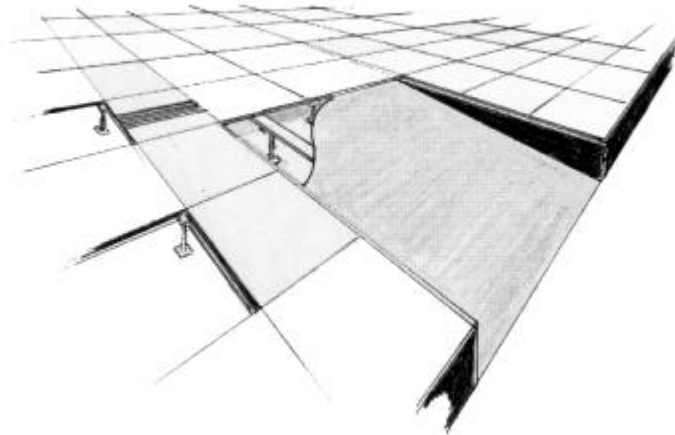
Tools

The installation and use of Raised Floors are more and more practical thanks to the range of tools available. The lifters, which have been showed in the previous chapter, even after the installation has been made are always useful tools, which should be kept to lift panels anytime the space under the panels has to be inspected or some repairs, modifications or replacement have to be made.

Steps and ramps can solve problems given by differences in level, while laminate panels can be used to form the sides of free-standing raised floor system (where walls are absent)..

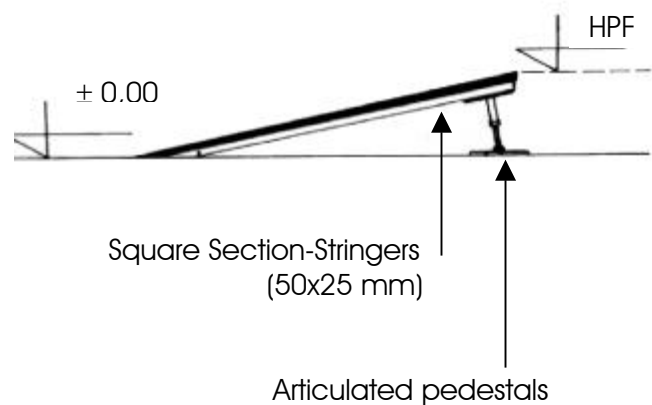
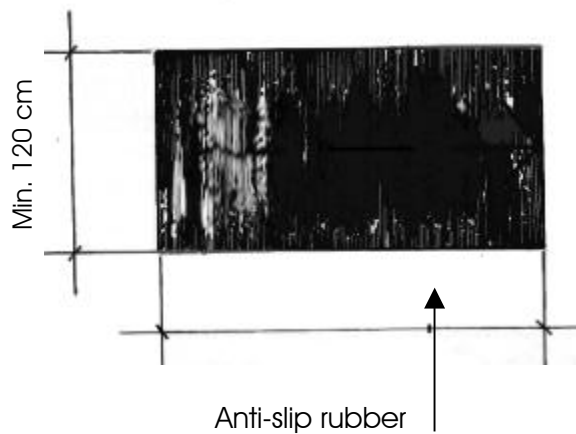
Finally, some equipments such as air-flow grills, electrical inspection shafts and electrical and telephone standing turrets can be provided in order to better exploit the space and to distribute more efficiently lighting, phones, computer cables etc. and to guarantee better flexibility in case of subsequent modifications.

Ramp



view

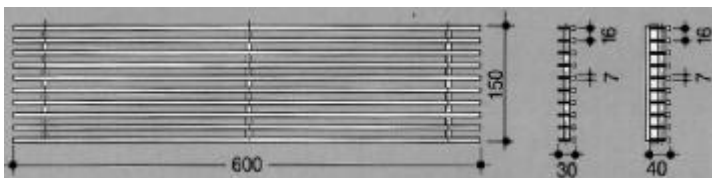
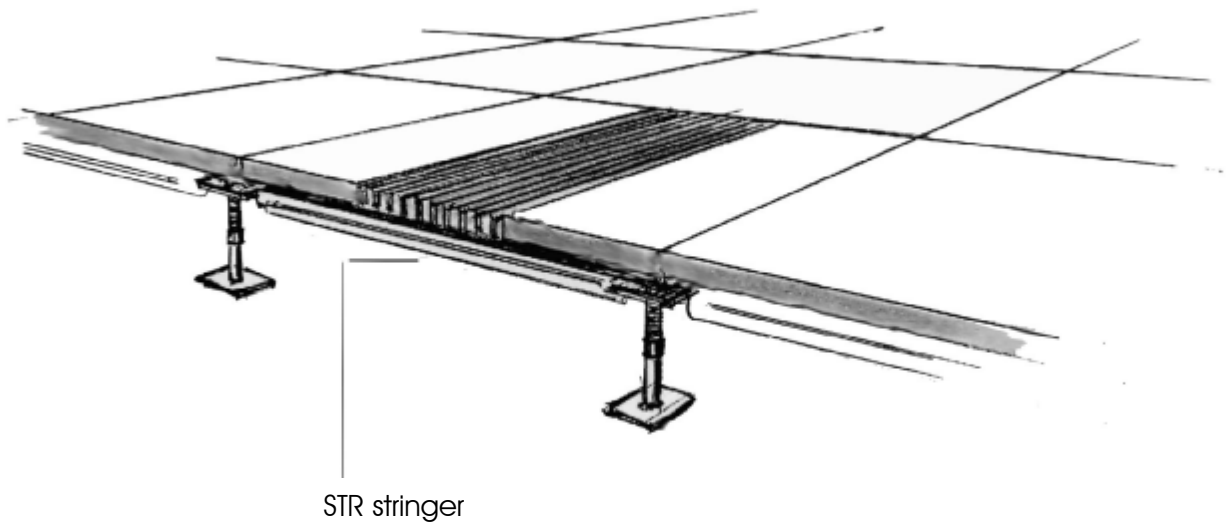
section



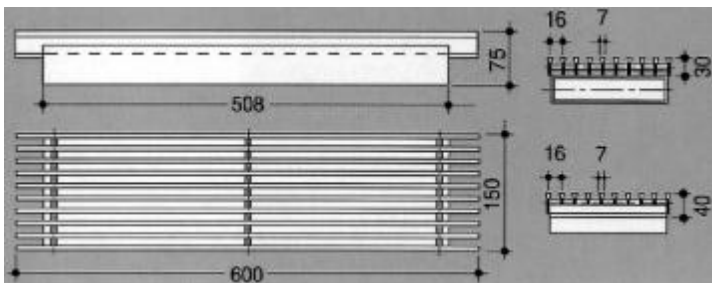
Air flow grill

The grill, with or without shutter, allows the air flowing from the underfloor plenum. It is inserted in the panel suitably designed with no detriment to its functionality.

GRILL



Anodized aluminium grill without shutter. Available in either 600x150x30 mm or 600x150x40 mm size.



Anodized aluminium grill with shutter. Available in either 600x150x30 mm or 600x150x40 mm size.

Standing turret



The standing turrets are modular so that wiring systems connection can vary according to different demands. They are made of self-extinguish thermoplastic material and thanks to their appearance, they can harmoniously match with every kind of furnishings.

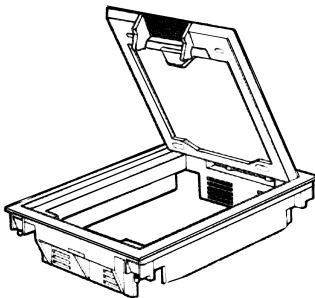
They are supplied with a blind cover for the non-service side.

Service outlet or wiring inspection shafts

The outlet box can be provided with different connectors according to the wiring options - telephone and/or electrical - that have to be installed. They are available in different sizes.



Size 193x118 mm.
Panel hole 181x105 mm.
Embedding deep 4 mm.



Size 214x214 mm.
Panel hole 201x201 mm.
Embedding deep 4 mm.



Size 268x213 mm.
Panel hole 255x201 mm.
Embedding deep 4 mm.